



**HY5W2A6C(L/S)F-F / HY57W2A1620HC(L/S)T-F  
HY5W26CF-F / HY57W281620HCT-F  
4Banks x 2M x 16bits Synchronous DRAM**

**DESCRIPTION**

The Hynix Low Power SDRAM is suited for non-PC application which use the batteries such as PDAs, 2.5G and 3G cellular phones with internet access and multimedia capabilities, mini-notebook, handheld PCs.

The Hynix HY5W2A6CF is a 134,217,728bit CMOS Synchronous Dynamic Random Access Memory. It is organized as 4banks of 2,097,152x16.

The Low Power SDRAM provides for programmable options including CAS latency of 1, 2, or 3, READ or WRITE burst length of 1, 2, 4, 8, or full page, and the burst count sequence(sequential or interleave). And the Low Power SDRAM also provides for special programmable options including Partial Array Self Refresh of a quarter bank, a half bank, 1bank, 2banks, or all banks, Temperature Compensated Self Refresh of 15, 45, 70, or 85 degrees C. A burst of Read or Write cycles in progress can be terminated by a burst terminate command or can be interrupted and replaced by a new burst Read or Write command on any cycle(This pipelined design is not restricted by a 2N rule).

Deep Power Down Mode is a additional operating mode for Low Power SDRAM. This mode can achieve maximum power reduction by removing power to the memory array within each SDRAM. By using this feature, the system can cut off almost all DRAM power without adding the cost of a power switch and giving up mother-board power-line layout flexibility.

**FEATURES**

- Standard SDRAM Protocol
- Internal 4bank operation
- Voltage : VDD = 2.5V, VDDQ = 1.8V & 2.5V
- LVTTTL compatible I/O Interface
- Low Voltage interface to reduce I/O power
- Low Power Features ( HY5W26CF / HY57W281620HCT series can't support these features)
  - PASR(Partial Array Self Refresh)
  - TCSR(Temperature Compensated Self Refresh)
  - Deep Power Down Mode
- CAS latency of 1, 2, or 3
- Packages : 54ball, 0.8mm pitch FBGA / 54pin, TSOP
- -25 ~ 70C Operation

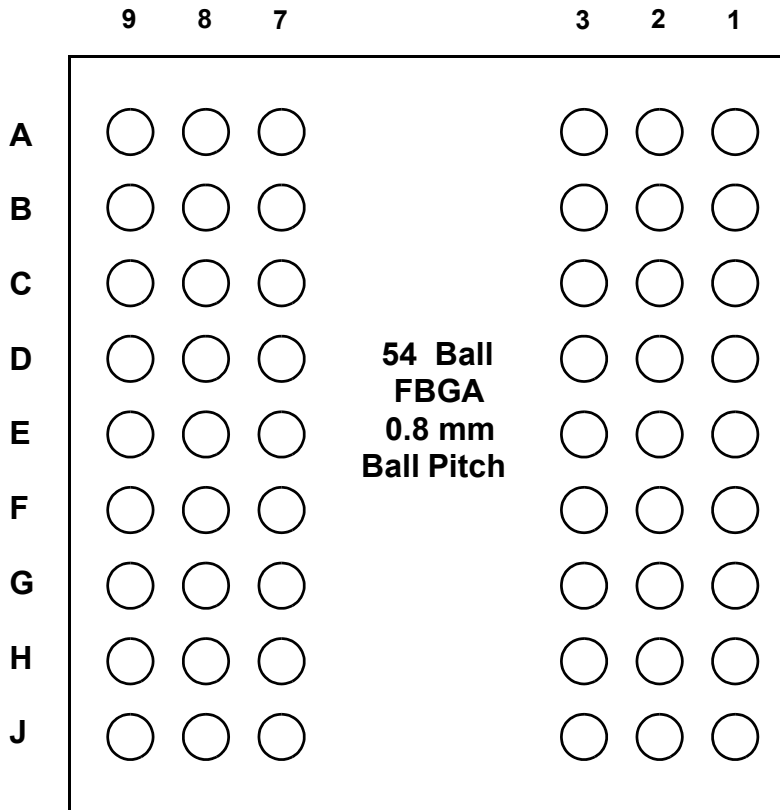
**128M SDRAM ORDERING INFORMATION**

Part Number	Clock Frequency	CAS Latency	Organization	Interface	Package
HY5W2A6C(L/S)F-HF HY5W26CF-HF HY57W2A1620HC(L/S)T-HF HY57W281620HCT-HF	133MHz	3	4banks x 2Mb x 16	LVTTTL	54ball FBGA (HY5xxxxxxF) 54pin TSOP-II (HY5xxxxxxT)
HY5W2A6C(L/S)F-PF HY5W26CF-PF HY57W2A1620HC(L/S)T-PF HY57W281620HCT-PF	100MHz	2	4banks x 2Mb x 16	LVTTTL	
HY5W2A6C(L/S)F-SF HY5W26CF-SF HY57W2A1620HC(L/S)T-SF HY57W281620HCT-SF	100MHz	3	4banks x 2Mb x 16	LVTTTL	
HHY5W2A6C(L/S)F-BF HY5W26CF-BF HY57W2A1620HC(L/S)T-BF HY57W281620HCT-BF	66Mhz	2	4banks x 2Mb x 16	LVTTTL	

\* HY5xxxxxx-B Series can support 40Mhz CL1 and 33Mhz CL1.

This document is a general product description and is subject to change without notice. Hynix does not assume any responsibility for use of circuits described. No patent licenses are implied.

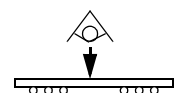
**BALL CONFIGURATION**



< Bottom View >

1	2	3		7	8	9
VSS	DQ15	VSSQ	A	VDDQ	DQ0	VDD
DQ14	DQ13	VDDQ	B	VSSQ	DQ2	DQ1
DQ12	DQ11	VSSQ	C	VDDQ	DQ4	DQ3
DQ10	DQ9	VDDQ	D	VSSQ	DQ6	DQ5
DQ8	NC	VSS	E	VDD	LDQM	DQ7
UDQM	CLK	CKE	F	/CAS	/RAS	/WE
NC	A11	A9	G	BA0	BA1	/CS
A8	A7	A6	H	A0	A1	A10
VSS	A5	A4	J	A3	A2	VDD

< Top View >



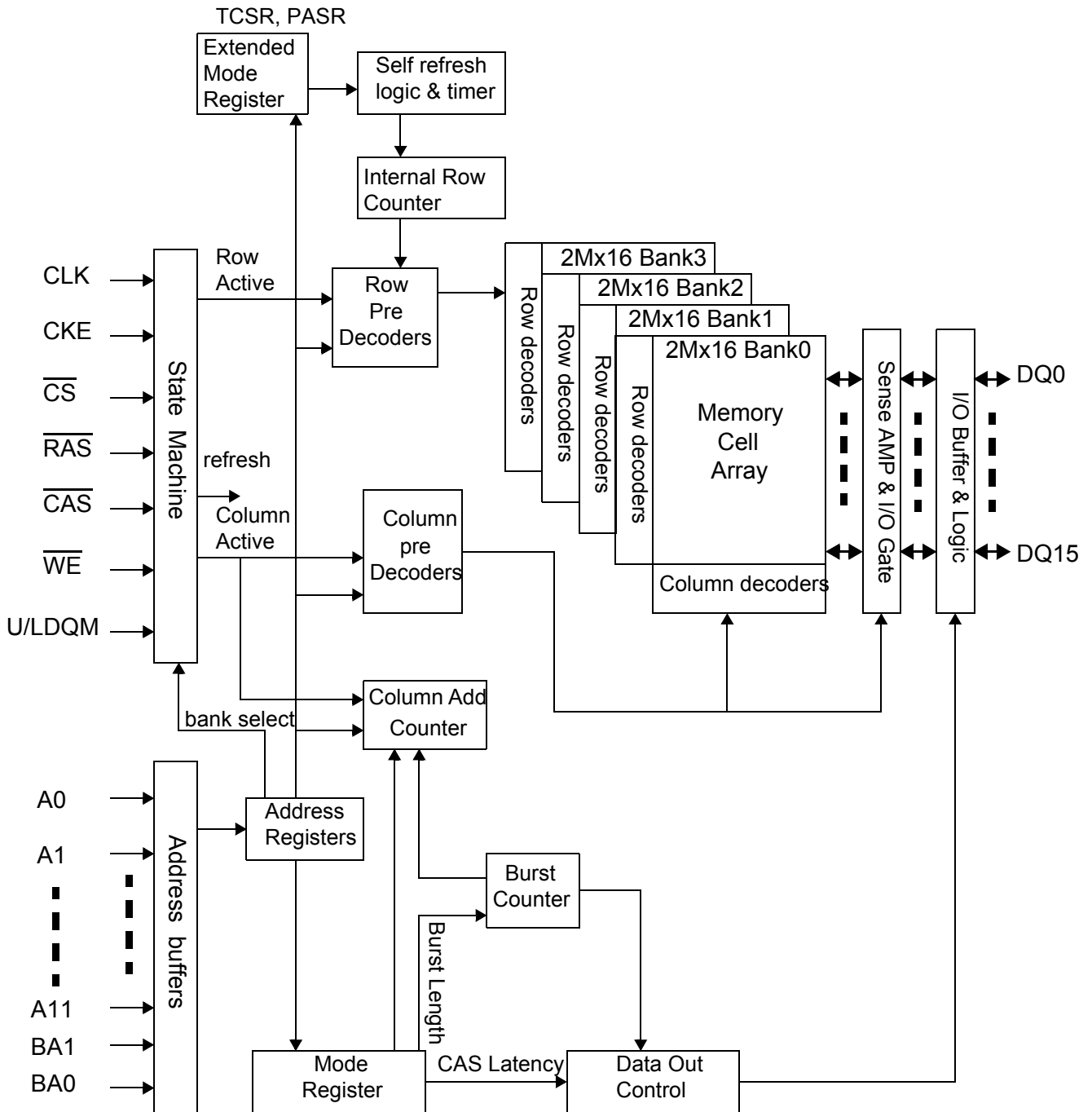
**BALL DESCRIPTION**

BALL OUT	SYMBOL	TYPE	DESCRIPTION
F2	CLK	INPUT	Clock : The system clock input. All other inputs are registered to the SDRAM on the rising edge of CLK
F3	CKE	INPUT	Clock Enable : Controls internal clock signal and when deactivated, the SDRAM will be one of the states among power down, suspend or self refresh
G9	$\overline{\text{CS}}$	INPUT	Chip Select : Enables or disables all inputs except CLK, CKE, UDQM and LDQM
G7,G8	BA0, BA1	INPUT	Bank Address : Selects bank to be activated during $\overline{\text{RAS}}$ activity Selects bank to be read/written during $\overline{\text{CAS}}$ activity
H7, H8, J8, J7, J3, J2, H3, H2, H1, G3, H9, G2	A0 ~ A11	INPUT	Row Address : RA0 ~ RA11, Column Address : CA0 ~ CA8 Auto-precharge flag : A10
F8, F7, F9	$\overline{\text{RAS}}$ , $\overline{\text{CAS}}$ , $\overline{\text{WE}}$	INPUT	Command Inputs : $\overline{\text{RAS}}$ , $\overline{\text{CAS}}$ and $\overline{\text{WE}}$ define the operation Refer function truth table for details
F1, E8	UDQM, LDQM	INPUT	Data Mask: Controls output buffers in read mode and masks input data in write mode
A8, B9, B8, C9, C8, D9, D8, E9, E1, D2, D1, C2, C1, B2, B1, A2	DQ0 ~ DQ15	I/O	Data Input/Output: Multiplexed data input/output pin
A9, E7, J9, A1, E3, J1	VDD/VSS	SUPPLY	Power supply for internal circuits
A7, B3, C7, D3, A3, B7, C3, D7	VDDQ/ VSSQ	SUPPLY	Power supply for output buffers
E2, G1	NC	-	No connection

Note. Please find HY5xxxxxT Series for standard 54TSOP-II pin configuration & description.

FUNCTIONAL BLOCK DIAGRAM

2Mbit x 4banks x 16 I/O Low Power Synchronous DRAM



**BASIC FUNCTIONAL DESCRIPTION**

**Mode Register**

BA1	BA0		A12	A11	A10	A9	A8	A7	A6	A5	A4	A3	A2	A1	A0
0	0		0	0	0	0	0	0	CAS Latency			BT	Burst Length		

**CAS Latency**

A6	A5	A4	CAS Latency
0	0	0	Reserved
0	0	1	1
0	1	0	2
0	1	1	3
1	0	0	Reserved
1	0	1	Reserved
1	1	0	Reserved
1	1	1	Reserved

**Burst Type**

A3	Burst Type
0	Sequential
1	Interleave

**Burst Length**

A2	A1	A0	Burst Length	
			A3 = 0	A3=1
0	0	0	1	1
0	0	1	2	2
0	1	0	4	4
0	1	1	8	8
1	0	0	Reserved	Reserved
1	0	1	Reserved	Reserved
1	1	0	Reserved	Reserved
1	1	1	Full Page	Reserved

**BASIC FUNCTIONAL DESCRIPTION (Continued)**

**Extended Mode Register**

BA1	BA0		A12	A11	A10	A9	A8	A7	A6	A5	A4	A3	A2	A1	A0
1	0		0	0	0	0	0	0	0	0	TCSR		PASR		

**TCSR (Temperature Compensated Self Refresh)**

A4	A3	Temperature ° C
0	0	70
0	1	45
1	0	15
1	1	85

**PASR (Partial Array Self Refresh)**

A2	A1	A0	Self Refresh Coverage
0	0	0	All Banks
0	0	1	Half of Total Bank (BA1=0)
0	1	0	Quarter of Total Bank (BA1=BA0=0)
0	1	1	Reserved
1	0	0	Reserved
1	0	1	One Eighth of Total Bank (Row Address MSB=0)
1	1	0	One Sixteenth of Total Bank (Row Address 2 MSBs=0)
1	1	1	Reserved

## Power Up and Initialization

Like a Synchronous DRAM, Low Power SDRAM must be powered up and initialized in a predefined manner. Power must be applied to VDD and VDDQ(simultaneously). The clock signal must be started at the same time. After power up, an initial pause of 200  $\mu$ sec is required. And a precharge all command will be issued to the LP SDRAM. Then, 8 or more Auto refresh cycles will be provided. After the Auto refresh cycles are completed, a mode register set(MRS) command will be issued to program the specific mode of operation (Cas Latency, Burst length, etc.) And a extended mode register set command will be issued to program specific mode of self refresh operation(PASR & TCSR). The following these cycles, the LP SDRAM is ready for normal operation.

## Programming the registers

### Mode Register

The mode register contains the specific mode of operation of the LP SDRAM. This register includes the selection of a burst length(1, 2, 4, 8, Full Page), a cas latency(1, 2, or 3), a burst type, an operating mode to differentiate between normal mode and a special burst read and single write mode. The mode register set must be done before any activate command after the power up sequence. Any contents of the mode register be altered by re-programming the mode register through the execution of mode register set command.

### Extended Mode Register

The extended mode register contains the specific features of self refresh operation of the LP SDRAM. This register includes the selection of partial arrays to be refreshed(half array, quarter array, etc.), temperature range of the device(85, 70, 45, 15) for reducing current consumption during self refresh. The extended mode register set must be done before any activate command after the power up sequence. Any contents of the mode register be altered by re-programming the mode register through the execution of extended mode register set command.

### Bank(Row) Active

The Bank Active command is used to activate a row in a specified bank of the device. This command is initiated by activating CS, RAS and deasserting CAS, WE at the positive edge of the clock. The value on the BA1 and BA0 selects the bank, and the value on the A0-A11 selects the row. This row remains active for column access until a precharge command is issued to that bank. Read and write operations can only be initiated on this activated bank after the minimum tRCD time is passed from the activate command.

### Read

The READ command is used to initiate the burst read of data. This command is initiated by activating  $\overline{\text{CS}}$ ,  $\overline{\text{CAS}}$ , and deasserting WE, RAS at the positive edge of the clock. BA1 and BA0 inputs select the bank, A8-A0 address inputs select the starting column location. The value on input A10 determines whether or not Auto Precharge is used. If Auto Precharge is selected the row being accessed will be precharged at the end of the READ burst; if Auto Precharge is not selected, the row will remain active for subsequent accesses. The length of burst and the CAS latency will be determined by the values programmed during the MRS command.

### Write

The WRITE command is used to initiate the burst write of data. This command is initiated by activating  $\overline{\text{CS}}$ ,  $\overline{\text{CAS}}$ ,  $\overline{\text{WE}}$  and deasserting  $\overline{\text{RAS}}$  at the positive edge of the clock. BA1 and BA0 inputs select the bank, A8-A0 address inputs select the starting column location. The value on input A10 determines whether or not Auto Precharge is used. If Auto Precharge is selected the row being accessed will be precharged at the end of the WRITE burst; if Auto Precharge is not selected, the row will remain active for subsequent accesses.

## Precharge

The Precharge command is used to close the open row in a particular bank or the open row in all banks. When the precharge command is issued with address A10, high, then all banks will be precharged, and If A10 is low, the open row in a particular bank will be precharged. The bank(s) will be available when the minimum tRP time is met after the precharge command is issued.

## Auto Precharge

The Auto Precharge command is issued to close the open row in a particular bank after READ or WRITE operation. If A10 is high when a READ or WRITE command is issued, the READ or WRITE with Auto Precharge is initiated.

## Burst Termination

The Burst Termination is used to terminate the burst operation. This function can be accomplished by asserting a Burst Stop command or a Precharge command during a burst READ or WRITE operation. The Precharge command interrupts a burst cycle and close the active bank, and the Burst Stop command terminates the existing burst operation leave the bank open.

## Data Mask

The Data Mask command is used to mask READ or WRITE data. During a READ operation, When this command is issued, data outputs are disabled and become high impedance after two clock delay. During a WRITE operation, When this command is issued, data inputs can't be written with no clock delay.

## Clock Suspend

The Clock Suspend command is used to suspend the internal clock of DRAM. During normal access mode, CKE is keeping High. When CKE is low, it freezes the internal clock and extends data Read and Write operations.

## Power Down

The Power Down command is used to reduce standby current. Before this command is issued, all banks must be precharged and tRP must be passed after a precharge command. Once the Power Down command is initiated by keeping CKE low, all of the input buffer except CKE are gated off.

## Auto Refresh

The Auto Refresh command is used during normal operation and is similar to CBR refresh in Conventional DRAMs. This command must be issued each time a refresh is required. When an Auto Refresh command is issued, the address bits is "Don't care", because the specific address bits is generated by internal refresh address counter.

## Self Refresh

The Self Refresh command is used to retain cell data in the Low Power SDRAM. In the Self Refresh mode, the Low Power SDRAM operates refresh cycle asynchronously. The Self Refresh command is initiated like an Auto Refresh command except CKE is disabled(Low). The Low Power SDRAM can accomplish a special Self Refresh operation by the specific modes(TCSR, PASR) programmed in extended mode registers. The Low Power SDRAM can control the refresh rate by the temperature value of TCSR (Temperature Compensated Self Refresh) and select the memory array to be refreshed by the value of PASR(Partial Array Self Refresh). The Low Power SDRAM can reduce the self refresh current(IDD6) by using these two modes.

## Deep Power Down

The Deep Power Down Mode is used to achieve maximum power reduction by cutting the power of the whole memory array of the devices. For more information, see the special operation for Low Power consumption of this data sheet.



**COMMAND TRUTH TABLE**

Function	CKEn-1	CKEn	$\overline{CS}$	$\overline{RAS}$	$\overline{CAS}$	$\overline{WE}$	DQM	ADDR	A10/ AP	BA	Note
Mode Register Set	H	X	L	L	L	L	X	Op Code			2
Extended Mode Register Set	H	X	L	L	L	L	X	Op Code			2
No Operation	H	X	L	H	H	H	X	X			
Device Deselect	H	X	H	X	X	X	X	X			
Bank Active	H	X	L	L	H	H	X	Row Address		V	
Read	H	X	L	H	L	H		Column	L	V	
Read with Autoprecharge	H	X	L	H	L	H	X	Column	H	V	
Write	H	X	L	H	L	L	X	Column	L	V	
Write with Autoprecharge	H	X	L	H	L	L	X	Column	H	V	
Precharge All Banks	H	X	L	L	H	L	X	X	H	X	
Precharge selected Bank	H	X	L	L	H	L	X	X	L	V	
Burst stop	H	X	L	H	H	L	X	X			
Data Write/Output Enable	H	X	X				X	X			
Data Mask/Output Disable	H	X	X				V	X			
Auto Refresh	H	H	L	L	L	H	X	X			
Self Refresh Entry	H	L	L	L	L	H	X	X			
Self Refresh Exit	L	H	H	X	X	X	X	X			1
			L	H	H	H					
Precharge Power Down Entry	H	L	H	X	X	X	X	X			
			L	H	H	H					
Precharge Power Down Exit	L	H	H	X	X	X	X	X			
			L	H	H	H					
Clock Suspend Entry	H	L	H	X	X	X	X	X			
			L	V	V	V					
Clock Suspend Exit	L	H	X				X	X			
Deep Power Down Entry	H	L	L	H	H	L	X	X			
Deep Power Down Exit	L	H	X				X	X			

Note : 1. Exiting Self Refresh occurs by asynchronously bringing CKE from low to high.  
 2. BA1/BA0 must be issued 0/0 in the mode register set, and 1/0 in the extended mode register set.

**CURRENT STATE TRUTH TABLE (Sheet 1 of 3)**

Current State	Command						Action	Notes	
	$\overline{CS}$	$\overline{RAS}$	$\overline{CAS}$	$\overline{WE}$	BA0,BA1	A11-A0			Description
idle	L	L	L	L	OP Code		Mode Register Set	Set the Mode Register	14
	L	L	L	H	X	X	Auto or Self Refresh	Start Auto or Self Refresh	5
	L	L	H	L	BA	X	Precharge	No Operation	
	L	L	H	H	BA	Row Add.	Bank Activate	Activate the specified bank and row	
	L	H	L	L	BA	Col Add. A10	Write/WriteAP	ILLEGAL	4
	L	H	L	H	BA	Col Add. A10	Read/ReadAP	ILLEGAL	4
	L	H	H	H	X	X	No Operation	No Operation	3
	H	X	X	X	X	X	Device Deselect	No Operation or Power Down	3
Row Active	L	L	L	L	OP Code		Mode Register Set	ILLEGAL	13,14
	L	L	L	H	X	X	Auto or Self Refresh	ILLEGAL	13
	L	L	H	L	BA	X	Precharge	Precharge	7
	L	L	H	H	BA	Row Add.	Bank Activate	ILLEGAL	4
	L	H	L	L	BA	Col Add. A10	Write/WriteAP	Start Write : optional AP(A10=H)	6
	L	H	L	H	BA	Col Add. A10	Read/ReadAP	Start Read : optional AP(A10=H)	6
	L	H	H	H	X	X	No Operation	No Operation	
	H	X	X	X	X	X	Device Deselect	No Operation	
Read	L	L	L	L	OP Code		Mode Register Set	ILLEGAL	13,14
	L	L	L	H	X	X	Auto or Self Refresh	ILLEGAL	13
	L	L	H	L	BA	X	Precharge	Termination Burst: Start the Precharge	
	L	L	H	H	BA	Row Add.	Bank Activate	ILLEGAL	4
	L	H	L	L	BA	Col Add. A10	Write/WriteAP	Termination Burst: Start Write(optional AP)	8,9
	L	H	L	H	BA	Col Add. A10	Read/ReadAP	Termination Burst: Start Read(optional AP)	8
	L	H	H	H	X	X	No Operation	Continue the Burst	
	H	X	X	X	X	X	Device Deselect	Continue the Burst	
Write	L	L	L	L	OP Code		Mode Register Set	ILLEGAL	13,14
	L	L	L	H	X	X	Auto or Self Refresh	ILLEGAL	13
	L	L	H	L	BA	X	Precharge	Termination Burst: Start the Precharge	10
	L	L	H	H	BA	Row Add.	Bank Activate	ILLEGAL	4
	L	H	L	L	BA	Col Add. A10	Write/WriteAP	Termination Burst: Start Write(optional AP)	8
	L	H	L	H	BA	Col Add. A10	Read/ReadAP	Termination Burst: Start Read(optional AP)	8,9
	L	H	H	H	X	X	No Operation	Continue the Burst	
	H	X	X	X	X	X	Device Deselect	Continue the Burst	

**CURRENT STATE TRUTH TABLE (Sheet 2 of 3)**

Current State	Command						Action	Notes	
	CS	RAS	CAS	WE	BA0,BA1	A11-A0			Description
Read with Auto Precharge	L	L	L	L	OP Code		Mode Register Set	ILLEGAL	13,14
	L	L	L	H	X	X	Auto or Self Refresh	ILLEGAL	13
	L	L	H	L	BA	X	Precharge	ILLEGAL	4,12
	L	L	H	H	BA	Row Add.	Bank Activate	ILLEGAL	4,12
	L	H	L	L	BA	Col Add. A10	Write/WriteAP	ILLEGAL	12
	L	H	L	H	BA	Col Add. A10	Read/ReadAP	ILLEGAL	12
	L	H	H	H	X	X	No Operation	Continue the Burst	
	H	X	X	X	X	X	Device Deselect	Continue the Burst	
Write with Auto Precharge	L	L	L	L	OP Code		Mode Register Set	ILLEGAL	13,14
	L	L	L	H	X	X	Auto or Self Refresh	ILLEGAL	13
	L	L	H	L	BA	X	Precharge	ILLEGAL	4,12
	L	L	H	H	BA	Row Add.	Bank Activate	ILLEGAL	4,12
	L	H	L	L	BA	Col Add. A10	Write/WriteAP	ILLEGAL	12
	L	H	L	H	BA	Col Add. A10	Read/ReadAP	ILLEGAL	12
	L	H	H	H	X	X	No Operation	Continue the Burst	
	H	X	X	X	X	X	Device Deselect	Continue the Burst	
Precharging	L	L	L	L	OP Code		Mode Register Set	ILLEGAL	13,14
	L	L	L	H	X	X	Auto or Self Refresh	ILLEGAL	13
	L	L	H	L	BA	X	Precharge	No Operation: Bank(s) idle after tRP	
	L	L	H	H	BA	Row Add.	Bank Activate	ILLEGAL	4,12
	L	H	L	L	BA	Col Add. A10	Write/WriteAP	ILLEGAL	4,12
	L	H	L	H	BA	Col Add. A10	Read/ReadAP	ILLEGAL	4,12
	L	H	H	H	X	X	No Operation	No Operation: Bank(s) idle after tRP	
	H	X	X	X	X	X	Device Deselect	No Operation: Bank(s) idle after tRP	
Row Activating	L	L	L	L	OP Code		Mode Register Set	ILLEGAL	13,14
	L	L	L	H	X	X	Auto or Self Refresh	ILLEGAL	13
	L	L	H	L	BA	X	Precharge	ILLEGAL	4,12
	L	L	H	H	BA	Row Add.	Bank Activate	ILLEGAL	4,11,12
	L	H	L	L	BA	Col Add. A10	Write/WriteAP	ILLEGAL	4,12
	L	H	L	H	BA	Col Add. A10	Read/ReadAP	ILLEGAL	4,12
	L	H	H	H	X	X	No Operation	No Operation: Row Active after tRCD	
	H	X	X	X	X	X	Device Deselect	No Operation: Row Active after tRCD	

**CURRENT STATE TRUTH TABLE (Sheet 3 of 3)**

Current State	Command						Description	Action	Notes
	CS	RAS	CAS	WE	BA0,BA1	A11-A0			
Write Recovering	L	L	L	L	OP Code		Mode Register Set	ILLEGAL	13,14
	L	L	L	H	X	X	Auto or Self Refresh	ILLEGAL	13
	L	L	H	L	BA	X	Precharge	ILLEGAL	4,13
	L	L	H	H	BA	Row Add.	Bank Activate	ILLEGAL	4,12
	L	H	L	L	BA	Col Add. A10	Write/WriteAP	Start Write: Optional AP(A10=H)	
	L	H	L	H	BA	Col Add. A10	Read/ReadAP	Start Read: Optional AP(A10=H)	9
	L	H	H	H	X	X	No Operation	No Operation: Row Active after tDPL	
	H	X	X	X	X	X	Device Deselect	No Operation: Row Active after tDPL	
Write Recovering with Auto Precharge	L	L	L	L	OP Code		Mode Register Set	ILLEGAL	13,14
	L	L	L	H	X	X	Auto or Self Refresh	ILLEGAL	13
	L	L	H	L	BA	X	Precharge	ILLEGAL	4,13
	L	L	H	H	BA	Row Add.	Bank Activate	ILLEGAL	4,12
	L	H	L	L	BA	Col Add. A10	Write/WriteAP	ILLEGAL	4,12
	L	H	L	H	BA	Col Add. A10	Read/ReadAP	ILLEGAL	4,9,12
	L	H	H	H	X	X	No Operation	No Operation: Precharge after tDPL	
	H	X	X	X	X	X	Device Deselect	No Operation: Precharge after tDPL	
Refreshing	L	L	L	L	OP Code		Mode Register Set	ILLEGAL	13,14
	L	L	L	H	X	X	Auto or Self Refresh	ILLEGAL	13
	L	L	H	L	BA	X	Precharge	ILLEGAL	13
	L	L	H	H	BA	Row Add.	Bank Activate	ILLEGAL	13
	L	H	L	L	BA	Col Add. A10	Write/WriteAP	ILLEGAL	13
	L	H	L	H	BA	Col Add. A10	Read/ReadAP	ILLEGAL	13
	L	H	H	H	X	X	No Operation	No Operation: idle after tRC	
	H	X	X	X	X	X	Device Deselect	No Operation: idle after tRC	
Mode Register Accessing	L	L	L	L	OP Code		Mode Register Set	ILLEGAL	13,14
	L	L	L	H	X	X	Auto or Self Refresh	ILLEGAL	13
	L	L	H	L	BA	X	Precharge	ILLEGAL	13
	L	L	H	H	BA	Row Add.	Bank Activate	ILLEGAL	13
	L	H	L	L	BA	Col Add. A10	Write/WriteAP	ILLEGAL	13
	L	H	L	H	BA	Col Add. A10	Read/ReadAP	ILLEGAL	13
	L	H	H	H	X	X	No Operation	No Operation: idle after 2 clock cycles	
	H	X	X	X	X	X	Device Deselect	No Operation: idle after 2 clock cycles	

**Note :**

1. H: Logic High, L: Logic Low, X: Don't care, BA: Bank Address, AP: Auto Precharge.
2. All entries assume that CKE was active during the preceding clock cycle.
3. If both banks are idle and CKE is inactive, then in power down cycle
4. Illegal to bank in specified states. Function may be legal in the bank indicated by Bank Address, depending on the state of that bank.
5. If both banks are idle and CKE is inactive, then Self Refresh mode.
6. Illegal if tRCD is not satisfied.
7. Illegal if tRAS is not satisfied.
8. Must satisfy burst interrupt condition.
9. Must satisfy bus contention, bus turn around, and/or write recovery requirements.
10. Must mask preceding data which don't satisfy tDPL.
11. Illegal if tRRD is not satisfied
12. Illegal for single bank, but legal for other banks in multi-bank devices.
13. Illegal for all banks.
14. Mode Register Set and Extended Mode Register Set is same command truth table except BA1.

**CKE Enable(CKE) Truth TABLE**

Current State	CKE		Command						Action	Notes
	Previous Cycle	Current Cycle	$\overline{CS}$	$\overline{RAS}$	$\overline{CAS}$	$\overline{WE}$	BA0, BA1	A11-A0		
Self Refresh	H	X	X	X	X	X	X	X	INVALID	1
	L	H	H	X	X	X	X	X	Exit Self Refresh with Device Deselect	2
	L	H	L	H	H	H	X	X	Exit Self Refresh with No Operation	2
	L	H	L	H	H	L	X	X	ILLEGAL	2
	L	H	L	H	L	X	X	X	ILLEGAL	2
	L	H	L	L	X	X	X	X	ILLEGAL	2
	L	L	X	X	X	X	X	X	Maintain Self Refresh	
Power Down	H	X	X	X	X	X	X	X	INVALID	1
	L	H	H	X	X	X	X	X	Power Down mode exit, all banks idle	2
	L	H	L	X	X	X	X	X	ILLEGAL	2
	L	L	X	X	X	X	X	X	Maintain Power Down Mode	
Deep Power Down	H	X	X	X	X	X	X	X	INVALID	1
	L	H	X	X	X	X	X	X	Deep Power Down mode exit	5
	L	L	X	X	X	X	X	X	Maintain Deep Power Down Mode	
All Banks Idle	H	H	H	X	X	X			Refer to the idle State section of the Current State Truth Table	3
	H	H	L	H	X	X				3
	H	H	L	L	H	X				3
	H	H	L	L	L	H	X	X	Auto Refresh	
	H	H	L	L	L	L	Op Code		Mode Register Set	4
	H	L	H	X	X	X			Refer to the idle State section of the Current State Truth Table	3
	H	L	L	H	X	X				3
	H	L	L	L	H	X				3
	H	L	L	L	L	H	X	X	Entry Self Refresh	4
	H	L	L	L	L	L	Op Code		Mode Register Set	
L	X	X	X	X	X	X	X	Power Down	4	
Any State other than listed above	H	H	X	X	X	X	X	X	Refer to operations of the Current State Truth Table	
	H	L	X	X	X	X	X	X	Begin Clock Suspend next cycle	
	L	H	X	X	X	X	X	X	Exit Clock Suspend next cycle	
	L	L	X	X	X	X	X	X	Maintain Clock Suspend	

- Note :**
- For the given current state CKE must be low in the previous cycle.
  - When CKE has a low to high transition, the clock and other inputs are re-enabled asynchronously. When exiting power down mode, a NOP (or Device Deselect) command is required on the first positive edge of clock after CKE goes high.
  - The address inputs depend on the command that is issued.
  - The Precharge Power Down mode, the Self Refresh mode, and the Mode Register Set can only be entered from the all banks idle state.
  - When CKE has a low to high transition, the clock and other inputs are re-enabled asynchronously. When exiting deep power down mode, a NOP (or Device Deselect) command is required on the first positive edge of clock after CKE goes high and is maintained for a minimum 200µsec.

## ABSOLUTE MAXIMUM RATINGS

Parameter	Symbol	Rating	Unit
Ambient Temperature	TA	TBD	°C
Storage Temperature	TSTG	-55 ~ 125	°C
Voltage on Any Pin relative to VSS	VIN, VOUT	-1.0 ~ 3.6	V
Voltage on VDD relative to VSS	VDD	-1.0 ~ 3.6	V
Voltage on VDDQ relative to VSS	VDDQ	-1.0 ~ 3.6	V
Short Circuit Output Current	IOS	50	mA
Power Dissipation	PD	1	W
Soldering Temperature · Time	TSOLDER	260 · 10	°C · Sec

**Note** : Operation at above absolute maximum rating can adversely affect device reliability.

## DC OPERATING CONDITION (TA= -25 to 70 )

Parameter	Symbol	Min	Typ	Max	Unit	Note
Power Supply Voltage	VDD	2.3	2.5	2.7	V	1
Power Supply Voltage	VDDQ	1.65	-	2.7	V	1, 2
Input High Voltage	VIH	0.8*VDDQ	-	VDDQ+0.3	V	1, 2, 3
Input Low Voltage	VIL	-0.3	-	0.2*VDDQ	V	1, 2, 3

Note : 1. All Voltages are referenced to VSS = 0V  
2. VDDQ must not exceed the level of VDD  
3. Internal VREF = 0.9V

## AC OPERATING TEST CONDITION (TA= -25 to 70, VDD = 2.5V, VSS = 0V )

Parameter	Symbol	Value	Unit	Note
AC Input High/Low Level Voltage	VIH / VIL	TBD	V	
Input Timing Measurement Reference Level Voltage	Vtrip	0.9	V	
Input Rise/Fall Time	tR / tF	1	ns	
Output Timing Measurement Reference Level Voltage	Voutref	VDDQ/2	V	
Output Load Capacitance for Access Time Measurement	CL	TBD	pF	

**CAPACITANCE** (TA=2.5 C, f=1MHz, HY5xxxxxF Seires)

Parameter	Pin	Symbol	-H		-P/S/B		Unit
			Min	Max	Min	Max	
Input capacitance	CLK	CI1	2.5	3.0	2.3	3.0	pF
	A0~A11, BA0, BA1, CKE, $\overline{CS}$ , RAS, $\overline{CAS}$ , $\overline{WE}$ , UDQM, LDQM	CI2	1.5	3.0	1.5	3.0	pF
Data input/output capacitance	DQ0 ~ DQ15	CI/O	4.0	5.5	4.0	6.0	pF

**DC CHARACTERISTICS I** (TA= -25 to 70)

Parameter	Symbol	Min	Max	Unit	Note
Input Leakage Current	ILI	-1	1	$\mu$ A	1
Output Leakage Current	ILO	-1	1	$\mu$ A	2
Output High Voltage	VOH	VDDQ - 0.2	-	V	3
Output Low Voltage	VOL	-	0.2	V	4

- Note :**
1. VIN = 0 to 2.5V. All other pins are not tested under VIN=0V.
  2. DOUT is disabled. VOUT= 0 to 1.95V.
  3. IOU<sub>T</sub> = - 0.1mA
  4. IOU<sub>T</sub> = + 0.1mA



**DC CHARACTERISTICS II** (TA= -25 to 70)

Parameter	Symbol	Test Condition	Speed				Unit	Note
			-H	-P	-S	-B		
Operating Current	IDD1	Burst length=1, One bank active t <sub>RC</sub> ≥ t <sub>RC</sub> (min), IOL=0mA	75	65	60	60	mA	1
Precharge Standby Current in Power Down Mode	IDD2P	CKE ≤ VIL(max), tCK = 15ns	0.5				mA	
	IDD2PS	CKE ≤ VIL(max), tCK = ∞	0.5				mA	
Precharge Standby Current in Non Power Down Mode	IDD2N	CKE ≥ VIH(min), $\overline{CS}$ ≥ VIH(min), tCK = 15ns Input signals are changed one time during 2clks. All other pins ≥ VDD-0.2V or ≤ 0.2V	7				mA	
	IDD2NS	CKE ≥ VIH(min), tCK = ∞ Input signals are stable.	7					
Active Standby Current in Power Down Mode	IDD3P	CKE ≤ VIL(max), tCK = 15ns	5				mA	
	IDD3PS	CKE ≤ VIL(max), tCK = ∞	5					
Active Standby Current in Non Power Down Mode	IDD3N	CKE ≥ VIH(min), $\overline{CS}$ ≥ VIH(min), tCK = 15ns Input signals are changed one time during 2clks. All other pins ≥ VDD-0.2V or ≤ 0.2V	15				mA	
	IDD3NS	CKE ≥ VIH(min), tCK = ∞ Input signals are stable.	15					
Burst Mode Operating Current	IDD4	tCK ≥ tCK(min), IOL=0mA All banks active	100	80	70	70	mA	1
Auto Refresh Current	IDD5	t <sub>RRC</sub> ≥ t <sub>RRC</sub> (min), All banks active	165	155	125	125	mA	2
Self Refresh Current	IDD6	CKE ≤ 0.2V					mA	3
Standby Current in Deep Power Down Mode	TBD	TBD	60				μA	

- Note : 1. IDD1 and IDD4 depend on output loading and cycle rates. Specified values are measured with the output open  
2. Min. of t<sub>RRC</sub> (Refresh RAS cycle time) is shown at AC CHARACTERISTICS II.  
3. See the tables of next page for more specific IDD6 current values.
- Normal Power : HY5W2A6CF / HY57W2A1620CT Series
  - Low Power : HY5W2A6CLF / HY57W2A1620CLT Series
  - Super Low Power : HY5W2A6CSF / HY57W2A1620CST Series
  - Standard Part : HY5W26CF / HY5W281620HCT Series

**DC CHARACTERISTICS III - Normal (IDD6) (VDD=2.5V, VDDQ=1.8V & 2.5V, VSS=0V)**

Temp. ( °C)	Memory Array			Unit
	4 Banks	2 Banks	1 Bank	
70	400	280	230	μA
-25~45	300	210	170	μA

\* HY5W2A6CF-F / HY57W2A1620CT-F Series

**DC CHARACTERISTICS III - Low Power (IDD6) (VDD=2.5V, VDDQ=1.8V & 2.5V, VSS=0V)**

Temp. ( °C)	Memory Array			Unit
	4 Banks	2 Banks	1 Bank	
70	330	230	190	μA
-25~45	250	180	150	μA

\* HY5W2A6CLF-F / HY57W2A1620CLT-F Series

**DC CHARACTERISTICS III - Super Low Power (IDD6) (VDD=2.5V, VDDQ=1.8V & 2.5V, VSS=0V)**

Temp. ( °C)	Memory Array			Unit
	4 Banks	2 Banks	1 Bank	
70	250	180	150	μA
-25~45	180	130	110	μA

\* HY5W2A6CSF-F / HY57W2A1620CST-F Series

**DC CHARACTERISTICS III - Standard part (IDD6) (VDD=2.5V, VDDQ=1.8V & 2.5V, VSS=0V)**

Temp. ( °C)	Memory Array	Unit
	4 Banks	
-25~70	< 450	μA

\* HY5W26CF-F / HY57W281620CT-F Series

**AC CHARACTERISTICS I** (AC operating conditions unless otherwise noted)

Parameter	Symbol	H		P		S		B		Unit	Note	
		Min	Max	Min	Max	Min	Max	Min	Max			
System Clock Cycle Time	$\overline{\text{CAS}}$ Latency=3	tCK3	7.5	1000	10	1000	10	1000	15	1000	ns	
	$\overline{\text{CAS}}$ Latency=2	tCK2	10		10		12		15		ns	
Clock High Pulse Width		tCHW	2.5	-	3	-	3	-	3.5	-	ns	1
Clock Low Pulse Width		tCLW	2.5	-	3	-	3	-	3.5	-	ns	1
Access Time From Clock	$\overline{\text{CAS}}$ Latency=3	tAC3	-	5.4	-	7	-	7	-	9	ns	2
	$\overline{\text{CAS}}$ Latency=2	tAC2	-	7	-	7	-	8	-	9	ns	
Data-out Hold Time		tOH	2.7	-	3	-	3	-	3	-	ns	
Data-Input Setup Time		tDS	1.5	-	2	-	2	-	2	-	ns	1
Data-Input Hold Time		tDH	0.8	-	1	-	1	-	1	-	ns	1
Address Setup Time		tAS	1.5	-	2	-	2	-	2	-	ns	1
Address Hold Time		tAH	0.8	-	1	-	1	-	1	-	ns	1
CKE Setup Time		tCKS	1.5	-	2	-	2	-	2	-	ns	1
CKE Hold Time		tCKH	0.8	-	1	-	1	-	1	-	ns	1
Command Setup Time		tCS	1.5	-	2	-	2	-	2	-	ns	1
Command Hold Time		tCH	0.8	-	1	-	1	-	1	-	ns	1
CLK to Data Output in Low-Z Time		tOLZ	1	-	1	-	1	-	1	-	ns	
CLK to Data Output in High-Z Time	$\overline{\text{CAS}}$ Latency=3	tOHZ3	2.7	5.4	3	6	3	6	3	9	ns	
	$\overline{\text{CAS}}$ Latency=2	tOHZ2	2.7	7	3	6	3	6	3	9	ns	

Note : 1. Assume tR / tF (input rise and fall time) is 1ns. If tR & tF > 1ns, then [(tR+tF)/2-1]ns should be added to the parameter.

2. Access time to be measured with input signals of 1v/ns edge rate, from 0.8v to 0.2v. If tR > 1ns, then (tR/2-0.5)ns should be added to the parameter.

**AC CHARACTERISTICS II** (AC operating conditions unless otherwise noted)

Parameter	Symbol	H		P		S		B		Unit	Note
		Min	Max	Min	Max	Min	Max	Min	Max		
RAS Cycle Time	tRC	65	-	70	-	70	-	90	-	ns	
RAS to CAS Delay	tRCD	20	-	20	-	30	-	30	-	ns	
RAS Active Time	tRAS	45	100K	50	100K	50	100K	60	100K	ns	
RAS Precharge Time	tRP	20	-	20	-	30	-	30	-	ns	
RAS to RAS Bank Active Delay	tRRD	15	-	20	-	20	-	20	-	ns	
CAS to CAS Delay	tCCD	1	-	1	-	1	-	1	-	tCK	
Write Command to Data-In Delay	tWTL	0	-	0	-	0	-	0	-	tCK	
Data-in to Precharge Command	tDPL	2	-	1	-	1	-	1	-	tCK	
Data-In to Active Command	tDAL	5	-	3	-	3	-	3	-	tCK	
DQM to Data-Out Hi-Z	tDQZ	2	-	2	-	2	-	2	-	tCK	
DQM to Data-In Mask	tDQM	0	-	0	-	0	-	0	-	tCK	
MRS to New Command	tMRD	2	-	2	-	2	-	2	-	tCK	
Precharge to Data Output High-Z	CAS Latency=3 tPROZ3	3	-	3	-	3	-	3	-	tCK	
	CAS Latency=2 tPROZ2	2	-	2	-	2	-	2	-	tCK	
Power Down Exit Time	tDPE	1	-	1	-	1	-	1	-	tCK	
Self Refresh Exit Time	tSRE	1	-	1	-	1	-	1	-	tCK	1
Refresh Time	tREF	-	64	-	64	-	64	-	64	ns	

Note : 1. A new command can be given tRRC after self refresh exit.

## Special Operation for Low Power Consumption

### Deep Power Down Mode

Deep Power Down Mode is an operating mode to achieve maximum power reduction by cutting the power of the whole memory array of the devices.

Data will not be retained once the device enters Deep Power Down Mode.

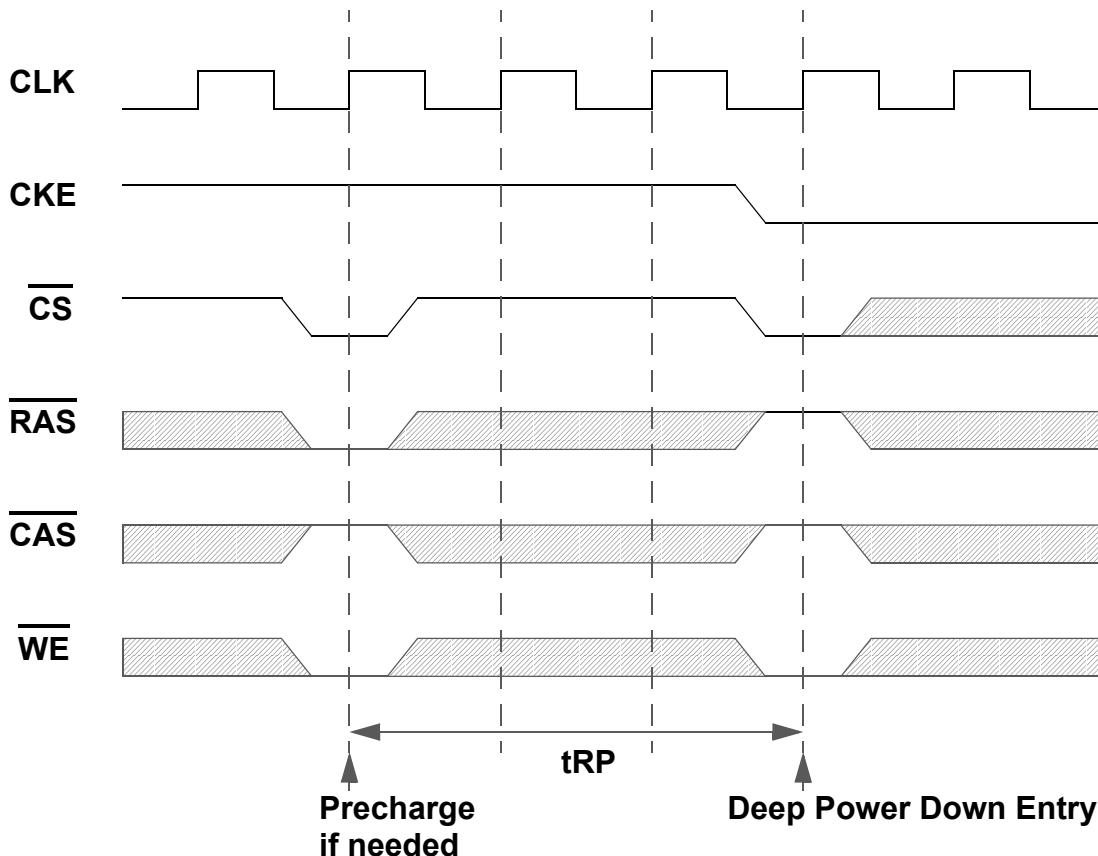
Full initialization is required when the device exits from Deep Power Down Mode.

#### Truth Table

Current State	Command	CKEn-1	CKEn	$\overline{\text{CS}}$	$\overline{\text{RAS}}$	$\overline{\text{CAS}}$	$\overline{\text{WE}}$
Idle	Deep Power Down Entry	H	L	L	H	H	L
Deep Power Down	Deep Power Down Exit	L	H	X	X	X	X

#### Deep Power Down Mode Entry

The Deep Power Down Mode is entered by having  $\overline{\text{CS}}$  and  $\overline{\text{WE}}$  held low with  $\overline{\text{RAS}}$  and  $\overline{\text{CAS}}$  high at the rising edge of the clock, while CKE is low. The following diagram illustrates deep power down mode entry.



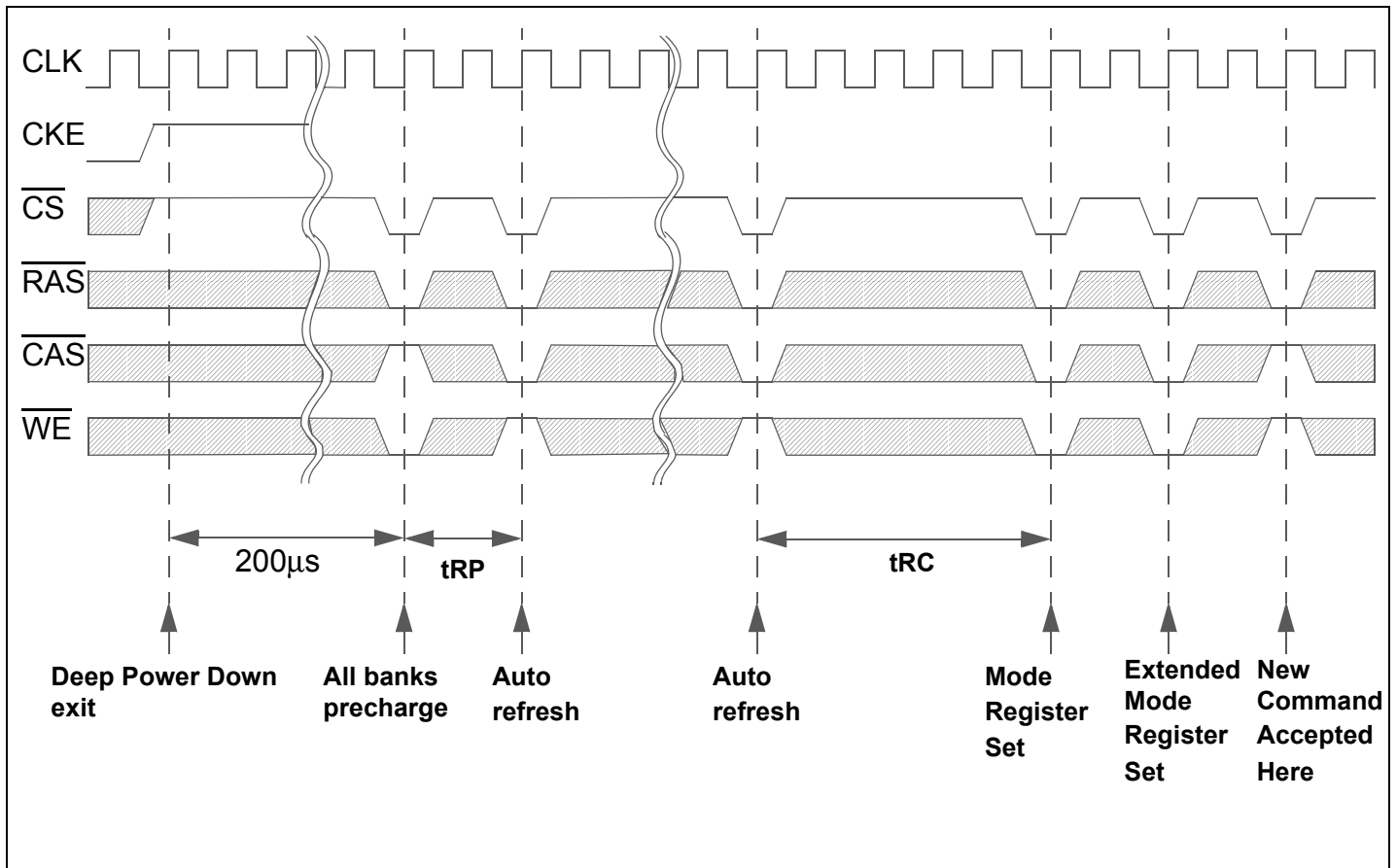
## Deep Power Down Mode (Continued)

### Deep Power Down Mode Exit Sequence

The Deep Power Down mode is exited by asserting CKE high. After the exit, the following sequence is needed to enter a new command.

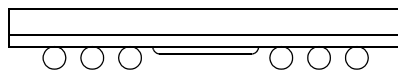
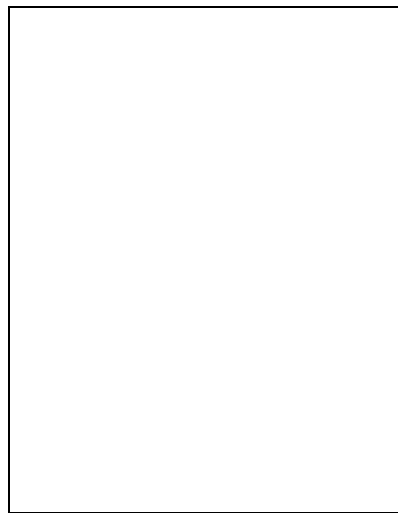
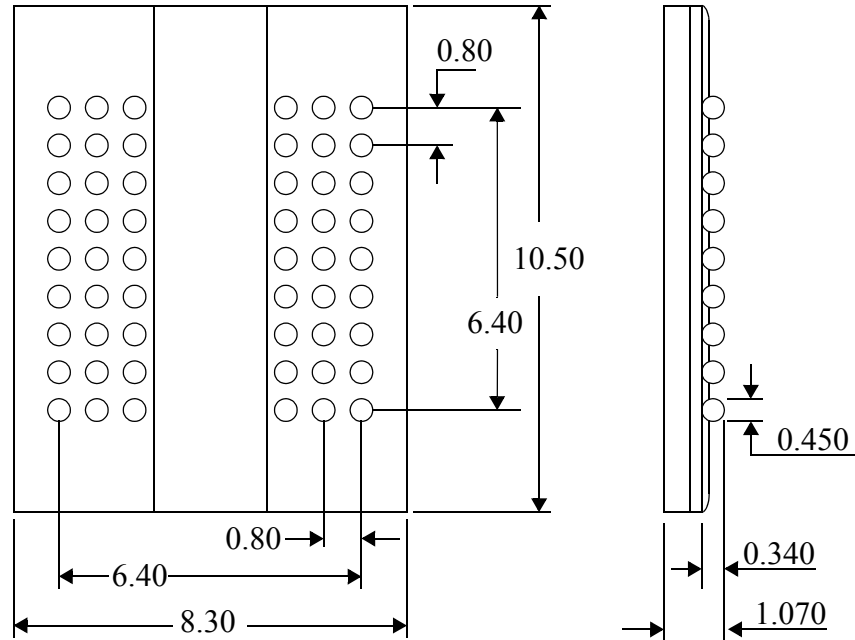
1. Maintain NOP input conditions for a minimum of 200 $\mu$ sec
2. Issue precharge commands for all banks of the device
3. Issue 8 or more auto refresh commands
4. Issue a mode register set command to initialize the mode register
5. Issue an extended mode register set command to initialize the extended mode register

The following timing diagram illustrates deep power down mode exit sequence.



PACKAGE INFORMATION

54 Ball 0.8mm pitch 8.3mm x 10.5mm FBGA (HY5xxxxxxF Series)



**PACKAGE INFORMATION**

**400mil 54pin Thin Small Outline Package (HY5xxxxxT Series)**

